

System concept

The Vectron POS Touch 12 has been developed for the highest demands. Thanks to its outstanding features, Vectron POS Touch 12 is particularly suitable for use in difficult environments like in bakery shops or on restaurant counters. Even here it works absolutely reliably and boasts a long service life.



Hardware

Technical data of Touch 12 POS system	
Display diagonal	307 mm (12.1")
Display type	TFT-LCD
Display backlight	LED backlight
Display size (active)	246 x 184.5 mm
Display resolution	800 x 600 pixel
Colours	up to 65,536
Input	Touchscreen; 5-wire analog-resistive
Housing	rear anthracite plastic; display frame coated aluminium
Foot	anthracite and silver-coated; plastic and coated aluminium
Processor	Marvell ARMADA 168, 1066 MHz
Main memory	512 MB DDR2-RAM
Cache	1 MB SRAM
Mass memory	4 GB Flash memory
Network	10/100BASE-T; Ethernet
USB ports	8x USB 2.0; type A; 2 of which at the bottom
Serial ports	6x RS232; type RJ45; for additional devices
Cash drawer ports	2x type RJ12; for up to four cash drawers with Y-cable
Audio socket	3.5 mm jack; stereo; for loudspeaker
SD-card slot	for SD-cards up to 4 GB and SDHC-cards up to 32 GB
Loudspeaker	mono; 2 W
Power supply	with foot: Vectron PS60 (integrated in foot) with wall mount: Vectron PS61

DATA SHEET

VECTRON POS TOUCH 12



Technical data of Touch 12 POS system	
Buffer battery	for permanent power supply of the cache
Power consumption	13 W in normal operation without external devices 0.5 W in standby
Temperature	storage: -10 to 50 °C operation: 0 to 40 °C
Dimensions (W x H x D)	with foot: approx. 308 x 390 x 270 mm (depending on tilt angle) with wall mount: 308 x 280 x 104 mm
Weight	with foot: approx. 9.3 kg with wall mount: approx. 4.3 kg
Certified	CE

Technical data of power supply Vectron PS60 or Vectron PS61	
Input voltage	100 to 240 V alternating voltage
Input current	max. 1.07 A
Output voltage	+ 24 V direct current
Output current	max. 3.75 A
Output power	max. 90 W
Power consumption	max. 93 W
No-load loss	0.3 to 0.5 W
Temperature	storage: -40 to 85 °C operation: 0 to 40 °C
Air humidity	operation: 5 to 95 %, non condensing
Dimensions (W x H x D)	145 x 60 x 32 mm
Weight	450 g
Certified	CE, UL 60950-1

Software

Technical data of Vectron POS software	
PLUs	1,000,000*
Departments	65,535*
Operators	2,000*
Guest checks or customers	65,535*
Cash registers per network	200*
Printers per network	100*
bonVito	unrestricted support of the bonVito online marketing tool (liable to costs - more information and prices at www.bonvito.net)
*	The indicated values are maximum values, which can only be reached with special programming and optimum hardware equipment. The available functions also depend on the used software version and the programming of the POS system. Please contact your Vectron dealer to assist you with your special requirements.

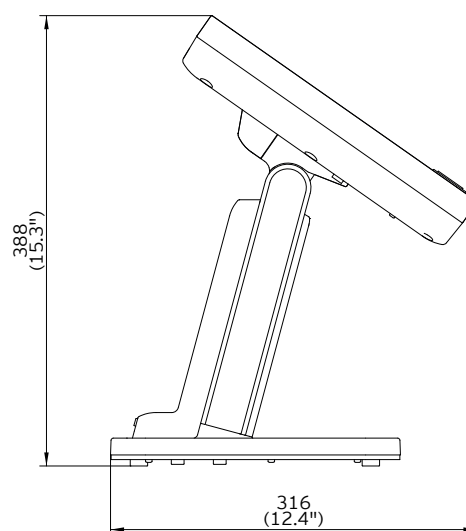
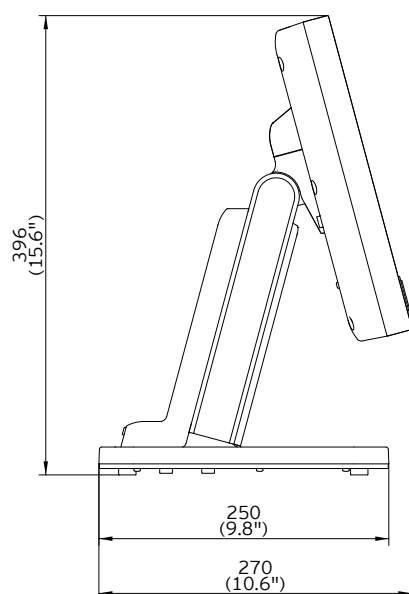
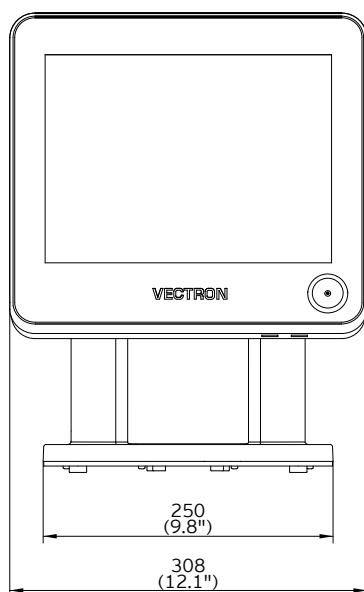


Shipment

Vectron POS Touch 12 (with foot)	
Standard shipment	Vectron POS Touch 12 POS system incl. foot
	Operator lock Vectron L10 (Dallas iButton)
	Housing Touch 12 port cover foot
	Power supply Vectron PS60
	Power cord
	Vectron POS software with licence
	Notes on safety and installation
	Dispatch box
Optional accessories	Operator lock Vectron L21, Vectron L30
	Customer display Vectron C56, Vectron C75, Vectron C100

Vectron POS Touch 12 (with wall mount)	
Standard shipment	Vectron POS Touch 12 POS system incl. wall mount
	Operator lock Vectron L10 (Dallas iButton)
	Housing Touch 12 port cover wall
	Power supply Vectron PS61
	Power cord
	Vectron POS software with licence
	Notes on safety and installation
	Dispatch box
Optional accessories	Operator lock Vectron L21, Vectron L30
	Customer display Vectron C56, Vectron C75, Vectron C100

Dimensions incl. foot (in mm and inch)



Dimensions incl. wall mount (in mm and inch)

